



KITCHEN EQUIPMENT

SERVING THE FOOD INDUSTRY SINCE 1951

9-INCH BLADE SLICER

Item: 41710 Model: MS-CN-0220-C

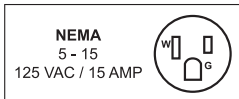
The Model MS-CN-0220-C Omcan slicer is an ideal tool for low volume operations while offering exceptional cutting consistency and durability. The carriage moves smoothly on ball bearings allowing effortless cutting of deli meats and vegetables. The high carbon steel 9-inch blade is hard chromed, with a hollow ground taper for extended sharpening and blade life. This Omcan slicer is designed for easy removal and disassembly of parts for easy cleaning. The MS-CN-0220-C features a blade lock for added safety during disassembly. The simplistic design and operation makes it perfect for restaurants, coffee shops, and home kitchens. Comes with a one-year limited parts and labor warranty.



EXCEPTIONAL, EASY TO USE TOOL FOR YOUR HOME KITCHEN



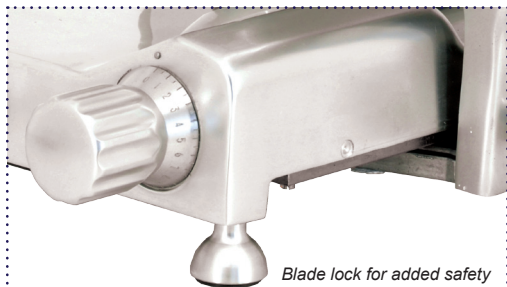
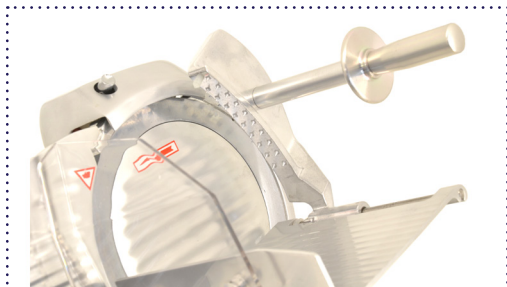
LIMITED WARRANTY
PARTS AND LABOR



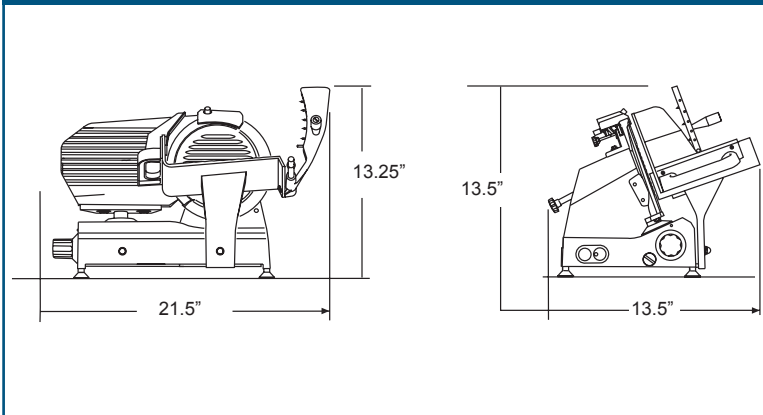
Authorized Dealer

KITCHEN EQUIPMENT

9-INCH BLADE SLICER 41710



TECHNICAL DRAWING AND DIMENSIONS

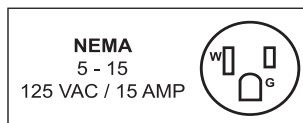


Technical Specifications

ITEM NUMBER	41710
MODEL	MS-CN-0220-C
BLADE SIZE	9"/220 mm
CUT THICKNESS	0.2 - 15 mm
POWER	0.2 HP / 0.12 kW
CUTTING SIZE	160 mm x 160 mm / 6.29" x 6.29"
CHEESE SLICING	
SLICING VOLUME*	<30 mins.
RPM	300
ELECTRICAL	110V/ 60Hz /1Ph
WEIGHT (NET/GROSS)	12.2 kg / 14 kg 27 lbs / 31 lbs
DIMENSIONS (WDH)	21.5" x 13.5" x 13.25" / 546 x 343 x 337 mm
PACKAGING DIMENSIONS	20.5" x 17" x 15" / 521 x 432 x 381 mm
ADDITIONAL INFO	In compliance with Province of Quebec safety standards

CHEESE SLICING RATINGS NOT RECOMMENDED → POOR → AVERAGE → GOOD → EXCELLENT →

*Results may vary due to product consistency and temperature.



OMCAN INC.

Telephone: 1-800-465-0234

Fax: (905) 607-0234

Email: sales@omcan.com

Website: www.omcan.com



Follow us to keep up to date with the latest news and offers



2015.E.O.E